

ICM30K - 3R1182

Made in India

PALAS

ISO 9001:2008 Certified

Applications

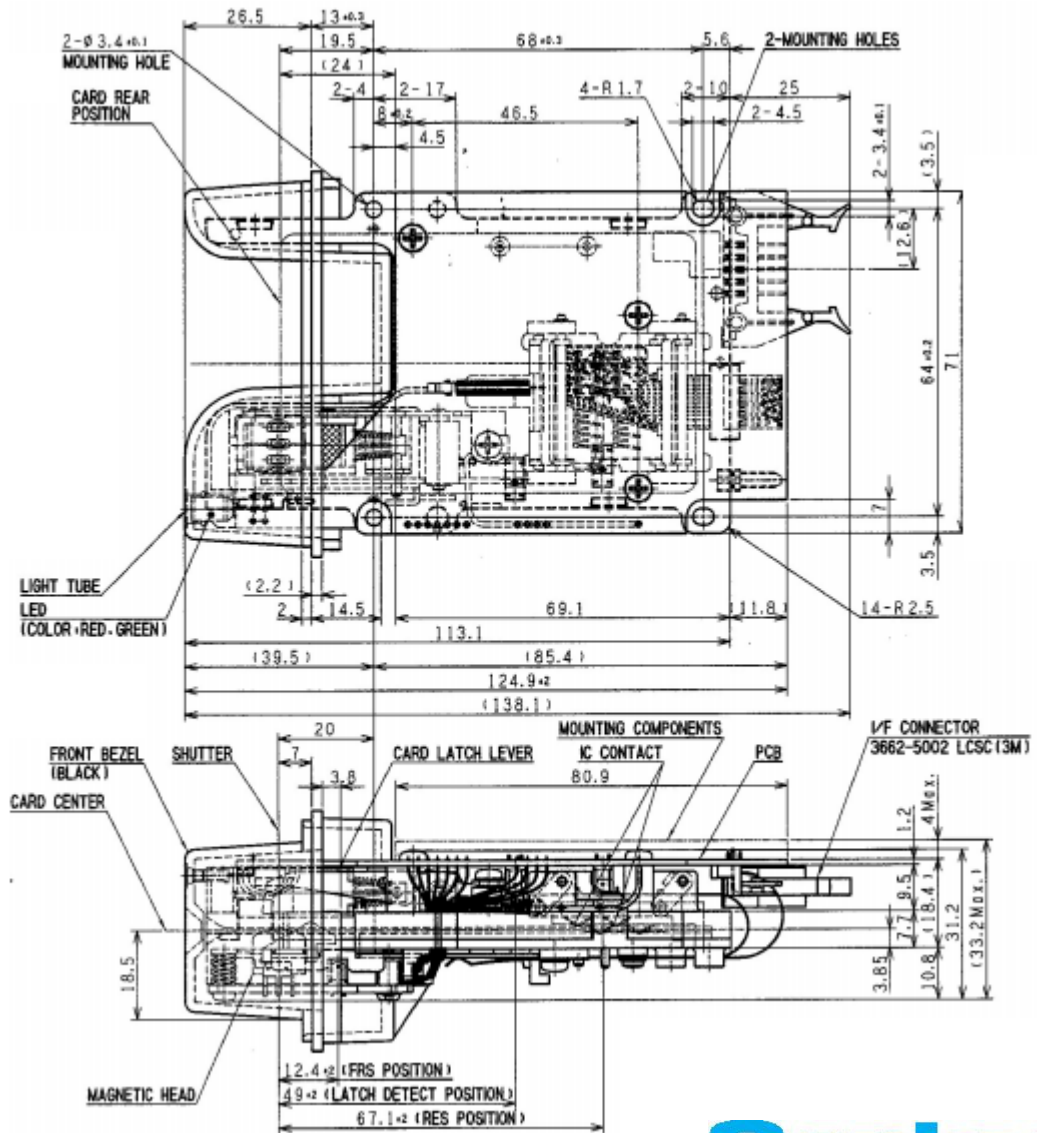
- ATM / CD
- Kiosk terminals
- Payment systems
- POS terminals
- Access control terminals
- Other ID terminals

Features

- High reliability and durability
- IC Card protocol handling for ISO and EMV Level 1 approved



Specifications	
IC Contact	ISO/IEC 7816-Part 1,2 and 3
	Protocol Handling (T=0 and 1)
	EMV 2000 ver 4.0 Level 1 approved
Magnetic Stripe	ISO/IEC 7810,7811 series, 7813
	Track 1, 2 and 3 Read only
Power requirement	+12 V DC / 0.4A (0.7A at peak 2ms)
Signal Interface	RS232C
Unit Life	More than 1,000,000 passes
Dimensions	80 mm(W) x 125 mm(D) x 50 mm(H)
Connector	3662-5002LCSC (3M)
Mass	165g approx



Sankyo

Palas Software Pvt. Ltd.

S-74 Okhla Industrial Area, Phase 2, New Delhi 110020, India

Tel: +91-11-41708030 Fax: +91-11-41708037 Email: sales@palas-india.com Web: www.palas-india.com
 Regd Off: B - 39 Kailash Colony, New Delhi 110048, India

Bangalore 93436-86824, Chennai 93600-86824, Hyderabad 93936-86824
 Kolkata 93309-86824, Mumbai 93241-86824, 98205-03354